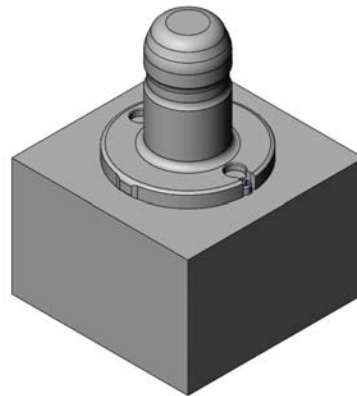




**Assembly dimension for the retractable nipple with equalizing function:**

**804 230, 804 232, 804 234, 804 236**



application example  
variant B

